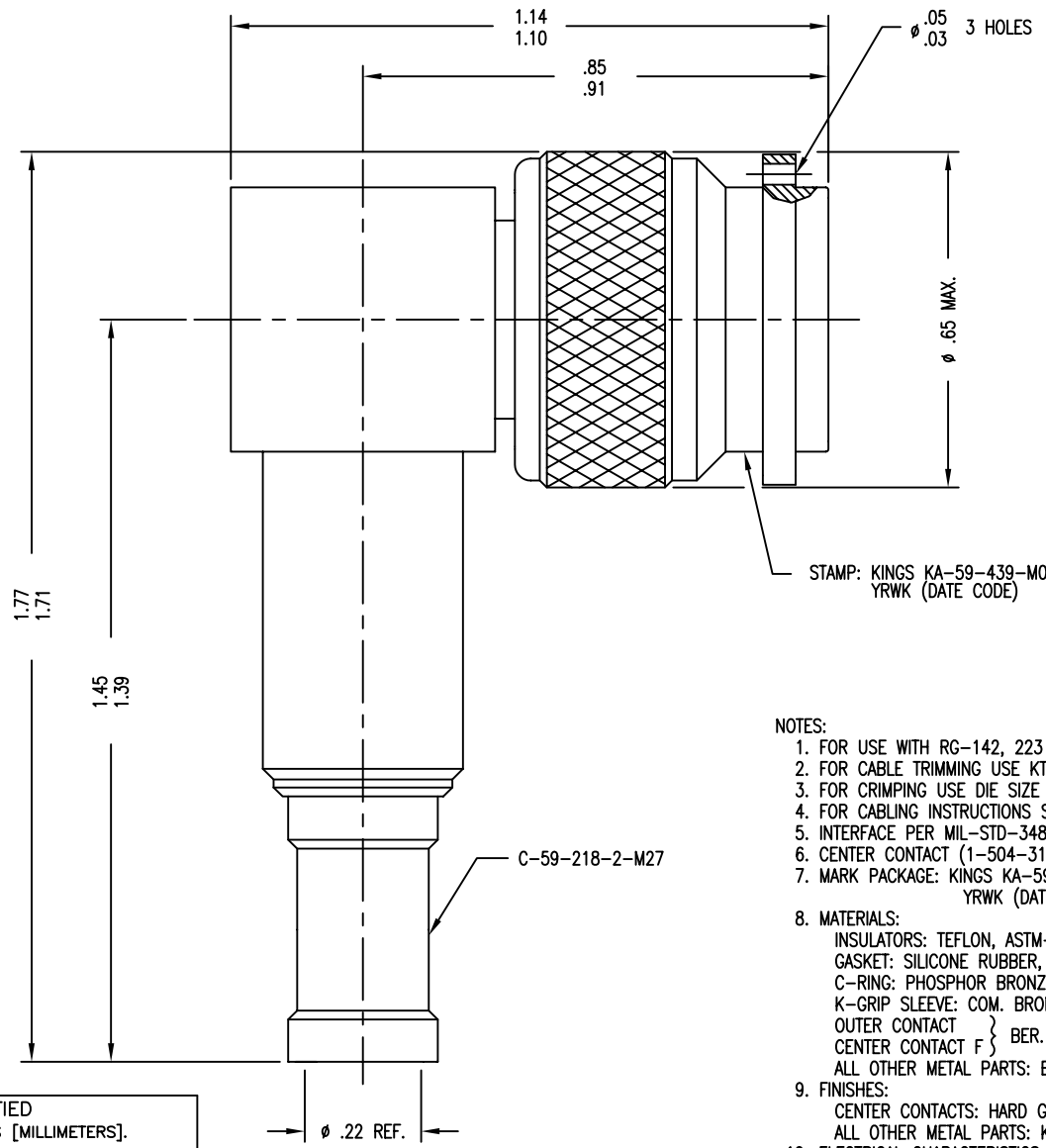


DASH NO.	M CODE	MADE FROM
----------	--------	-----------



- NOTES:
- FOR USE WITH RG-142, 223 & 400/U CABLE.
  - FOR CABLE TRIMMING USE KTJ-149 & KTD-166.
  - FOR CRIMPING USE DIE SIZE KTH-2061.
  - FOR CABLING INSTRUCTIONS SEE CP-5401.
  - INTERFACE PER MIL-STD-348, FIG. 313-1.
  - CENTER CONTACT (1-504-31MA9) TO BE SUPPLIED UNASSEMBLED.
  - MARK PACKAGE: KINGS KA-59-439-M06 YRWK (DATE CODE)
  - MATERIALS:  
 INSULATORS: TEFLON, ASTM-D4894Z  
 GASKET: SILICONE RUBBER, A-A-59588  
 C-RING: PHOSPHOR BRONZE, ASTM-B103  
 K-GRIP SLEEVE: COM. BRONZE, ALLOY 220  
 OUTER CONTACT } BER. COPPER, ASTM-B196  
 CENTER CONTACT F }  
 ALL OTHER METAL PARTS: BRASS, ASTM-B16
  - FINISHES:  
 CENTER CONTACTS: HARD GOLD PLATE, PER ASTM-B488  
 ALL OTHER METAL PARTS: KINGS TARNISH RESISTANT FINISH (TR-5)
  - ELECTRICAL CHARACTERISTICS:  
 NOMINAL IMPEDANCE: 50 OHMS  
 WORKING VOLTAGE: 500 VRMS  
 FREQUENCY RANGE: DC TO 11 GHz.

UNLESS OTHERWISE SPECIFIED

- ALL DIMENSIONS IN INCHES [MILLIMETERS].
- TOLERANCES:  
 .XXX ±.004      .XX ±.010  
 [.XXX ±.10]    [.XX ±.25]  
 FRACTIONS: X/Y ±.010 [.25]      ANGLES: ± 1°

★ CRITICAL DIMENSIONS

ISSUE	REVISIONS	
	CHANGES	
3	CN 34481 C REDRAWN KH 05/25/93	
4	CN 37797 E TML 03/10/99	
5	CN 38037 E HVN 06/28/00	
6	CN 38226 C BDH 2/15/01	
7	CN 39725 C PMC 12/7/06	
J	ER13489 DRK 1/28/09	

PART NO. KA-59-439-M06

## CUSTOMER SALES DRAWING

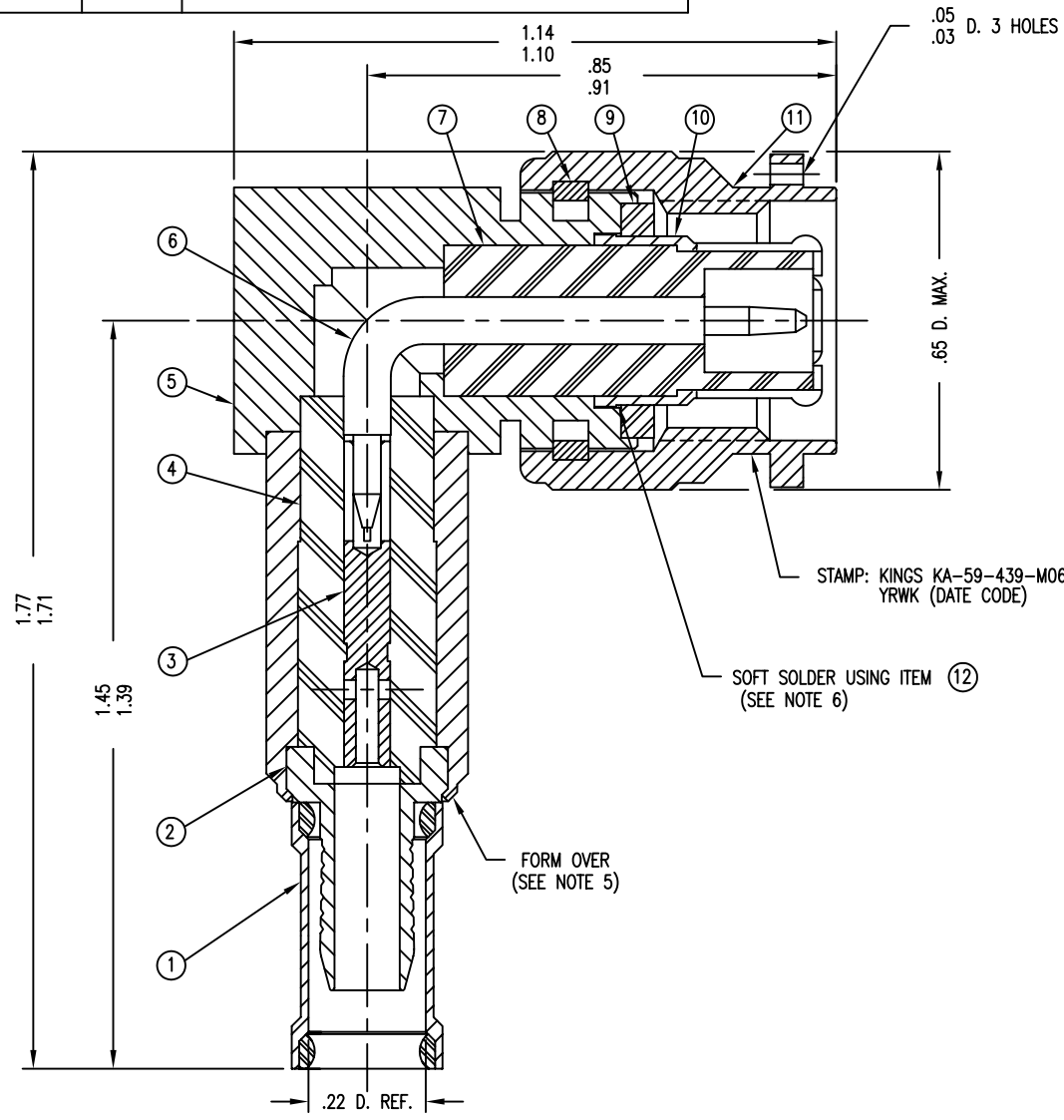
SCALE 4:1  
 APPROX SURFACE AREA  
 USED ON  
 REF: BOEING

## PLUG, ANGLE, TNC

DRAWN KH	DATE 05/26/93
DESIGN MJB	DATE 07/26/93
APPR.	DATE

 by WINCHESTER	Winchester Electronics 82 Barnes Industrial Road North Wallingford, CT 06492	B SIZE
	KA-59-439-M06	

DASH NO.	M CODE	MADE FROM
----------	--------	-----------



UNLESS OTHERWISE SPECIFIED  
 1. ALL DIMENSIONS IN INCHES [MILLIMETERS].  
 2. TOLERANCES:  
 .XXX ±.004    .XX ±.010  
 [.XXX ±.10]   [.XX ±.25]  
 FRACTIONS: X/Y ±.010 [.25]    ANGLES: ± 1°  
 ★ CRITICAL DIMENSIONS

- NOTES:
- FOR USE WITH RG-142, 223 & 400/U CABLE.
  - FOR CABLE TRIMMING USE KTJ-149 & KTD-166.
  - FOR CRIMPING USE DIE SIZE KTH-2061.
  - FOR CABLING INSTRUCTIONS SEE CP-5401.
  - FORM OVER MUST BE CAPABLE OF MEETING REQUIREMENTS OF E0-6478.
  - OUTER CONTACT MUST BE CAPABLE OF WITHSTANDING A WITHDRAWAL FORCE OF 50 LBS.
  - ITEM (3) TO BE SUPPLIED UNASSEMBLED.
  - INTERFACE PER MIL-STD-348, FIG. 313-1. ★
  - MARK PACKAGE: KINGS KA-59-439-M06 YRWK (DATE CODE)
  - ITEM (1) TO HAVE -M27 (RUBBERIZE) AFTER PLATING.

REVISIONS	
ISSUE	CHANGES
3	CN 34481 C REDRAWN KH 05/25/93
4	CN 37797 E TML 03/10/99
5	CN 38037 E HVN 06/28/00
6	CN 38226 C BDH 2/15/01
7	CN 39725 C PMC 12/7/06
J	ER13489 DRK 1/28/09

THIS DRAWING, THE DESIGNS AND IDEAS EMBODIED IN THE DEVICE TO WHICH IT RELATES, AND THE METHOD OF PRODUCING THE DEVICE, ARE THE PROPERTY OF WINCHESTER ELECTRONICS CORPORATION AND SHALL NOT BE EMPLOYED, COPIED, OR DISCLOSED TO ANYONE, IN ANY MANNER WITHOUT THE CONSENT OF WINCHESTER ELECTRONICS CORPORATION.

SCALE 4:1

APPROX SURFACE AREA

WAS: E-14911

USED ON


REF:

PL, ANG, TNC

DRAWN KH	DATE 05/26/93
DESIGN MJB	DATE 07/26/93
APPR.	DATE

	Winchester Electronics 62 Barnes Industrial Road North Wallingford, CT 06492	B SIZE
--	---	-----------

KA-59-439-M06 (SHT 1 OF 2)

ITEM	REQ'D		DESCRIPTION	PART NO.	KA-59-439-M06 (SHEET 2 OF 2)			
	SUB/A	COMP.			ISSUE	REVISIONS		
1	1	-	SLV, KGP, W/P (SEE NOTE 10)	C-59-218-2 M27	ISSUE	CHANGES		
-	-	A/R	RTV 3145	3-10-1 M99	4	CN 37797 E TML 03/10/99		
-	-	1	SLEEVE, KGP, W/P	C-59-218-1 M06	5	CN 38037 E HVN 06/28/00		
2	-	1	BODY, KGP	1-1052-1 M06	6	CN 38226 C BDH 2/15/01		
3	-	1	CONTACT, TNC, CR C, F	1-504-31 MA9				
4	-	1	INS	A-59-296-4 M99	7	CN 39725 C PMC 12/7/06		
5	1	-	BODY ASSY, TNC, ANG, M	2-1583-1 M06	J	ER13489 DRK 1/28/09		
-	-	1	BODY, TNC	1-6909-1 M99				
-	-	1	BODY, TNC, M	1-6910-1 M99	<p>THIS DRAWING, THE DESIGNS AND IDEAS EMBODIED IN THE DEVICE TO WHICH IT RELATES, AND THE METHOD OF PRODUCING THE DEVICE, ARE THE PROPERTY OF WINCHESTER ELECTRONICS CORPORATION AND SHALL NOT BE EMPLOYED, COPIED, OR DISCLOSED TO ANYONE, IN ANY MANNER WITHOUT THE CONSENT OF WINCHESTER ELECTRONICS CORPORATION.</p> <p>SCALE</p> <p>APPROX SURFACE AREA</p> <p>FINISH SPEC. KER 10004</p> <p>USED ON</p> <p>REF:</p> <p>PARTS LIST</p> <p>DRAWN KH      DATE 05/26/93</p> <p>DESIGN MJB      DATE 07/26/93</p> <p>APPR.      DATE</p>			
-	-	1	PREFORM, SOLDER	4-109-5 M99				
6	-	1	CONTACT, TNC, ANG, M-M	1-754-3 MA9				
7	-	1	INS, TNC, M	A-59-296-5 M99				
8	-	1	RING, C	A-51-01-7 M99				
9	-	1	GASKET, INT, TNC, M	A-89-12-3 M99				
10	-	1	CONTACT, TNC, OUTER, M	1-2248-3 M06				
11	-	1	NUT, TNC, COUPLING	A-51-01-6 M06				
12	-	1	PREFORM, SOLDER	306B-1 M99				
							 <p>Winchester Electronics 62 Barnes Industrial Road North Wallingford, CT 06492</p>	
							<p>A SIZE</p>	
					<p>KA-59-439-M06 (SHEET 2 OF 2)</p>			